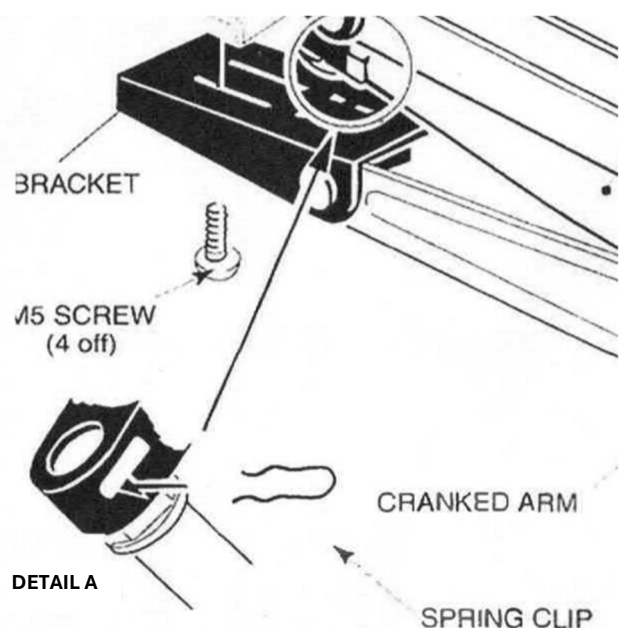
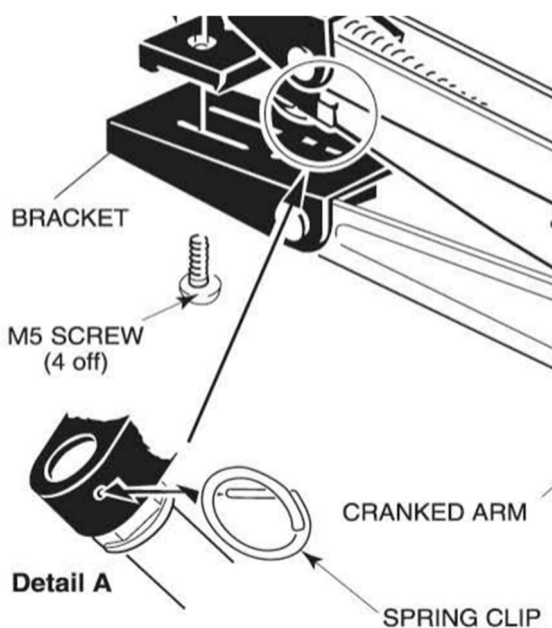


How to disconnect your Bayliss XL autovent prior to high winds.

When high winds are predicted it is important to minimize the chances of your greenhouse suffering from wind damage. Best practice is to shut all vents, louvres and door/s and ensure they are secure.

To help further secure your closed window/s from opening you can tie the arms of your Bayliss XL autovent together but before you do that it is **VITAL** that you disconnect the powertube from its housing first. Failure to do this could cause the tube to burst if the temperature increases and you have restricted the arms from opening.

To disconnect the powertube from its bottom cradle remove the spring clip (see ring (original) and paper-clip (new) styles below) and then lift the base of the tube up and out of its housing. You may need to open the vent itself to help lift the tube out. Now that the powertube is only connected by the threaded piston rod you can tie the arms of the autovent together with some garden twine. In the Winter you may wish to consider unscrewing the tube entirely at this stage and putting it somewhere dark and cool to prolong its life. Keep the spring clip/s safe ready for reuse.



To reconnect the powertube you need to do the reverse of the above. You may also need to cool down the powertube so the piston rod can be depressed back into the powertube prior to rehousing it back in its cradle.

Is my Bayliss XL autovent powertube faulty / worn out?

Autovents contain a wax which expands and contracts with temperature. If an autovent is leaking this oily wax it will need to be replaced, follow the links below:

Bayliss XL Black replacement tube - <https://www.greenhousepeople.co.uk/greenhouse/5784/replacement-cylinder-for-xl-opener-black/>

The older original Bayliss XL Silver replacement tube - <https://www.greenhousepeople.co.uk/greenhouse/3155/replacement-cylinder-for-xl-opener/>

If your powertube is **NOT** leaking wax then it may just need resetting. To do this remove the tube from its frame and pop it in the fridge for 30 minutes. The wax inside the unit will contract which can give it a new lease of life. The tube can now be reinstalled.